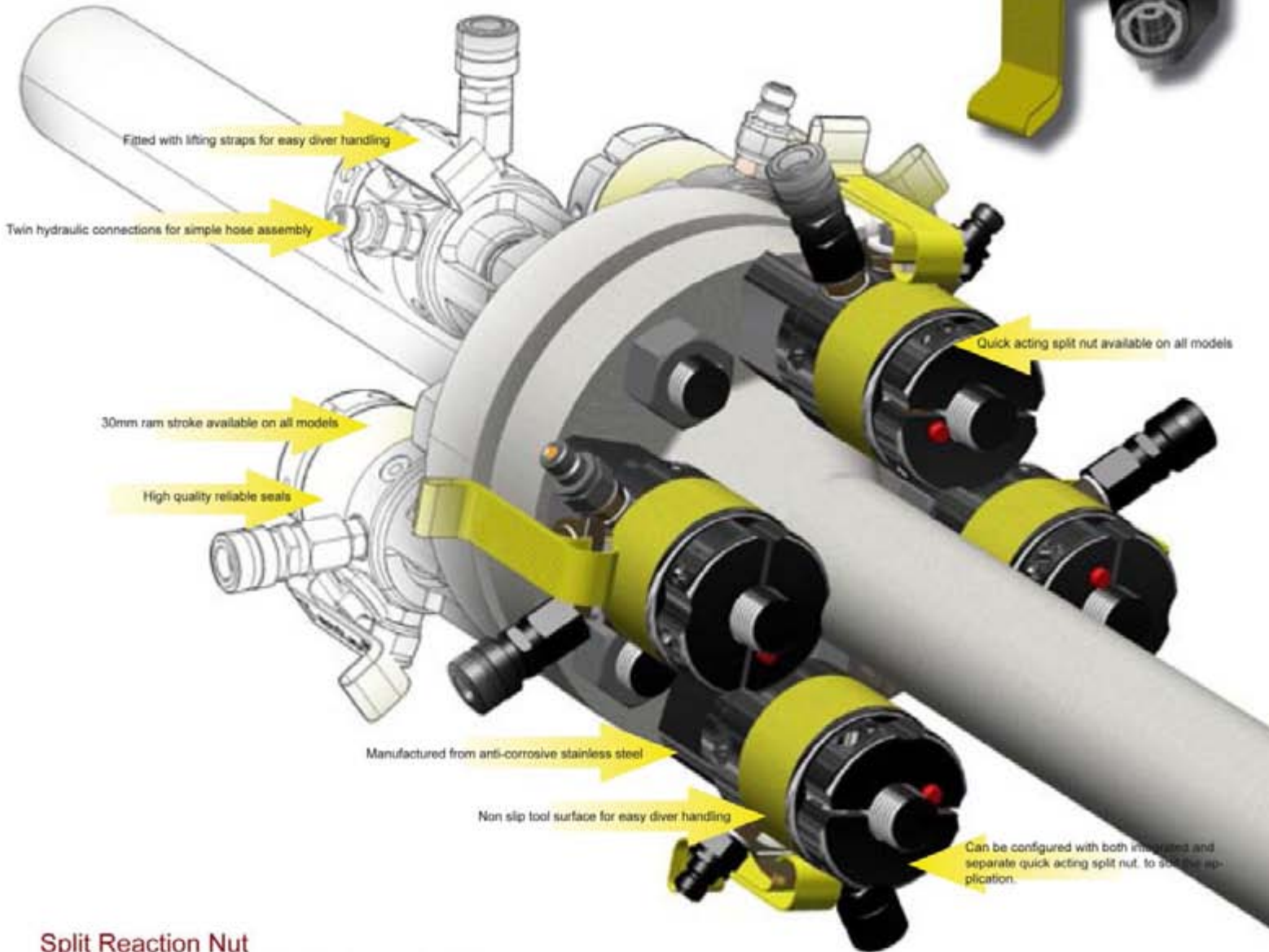




OPTIMUS-V

TENSIONADORES HIDRAULICOS SUBMARINOS



Split Reaction Nut

Simply mount the tensioning tool over the stud to be tensioned and snap together the split reaction nut for rapid and reliable assembly

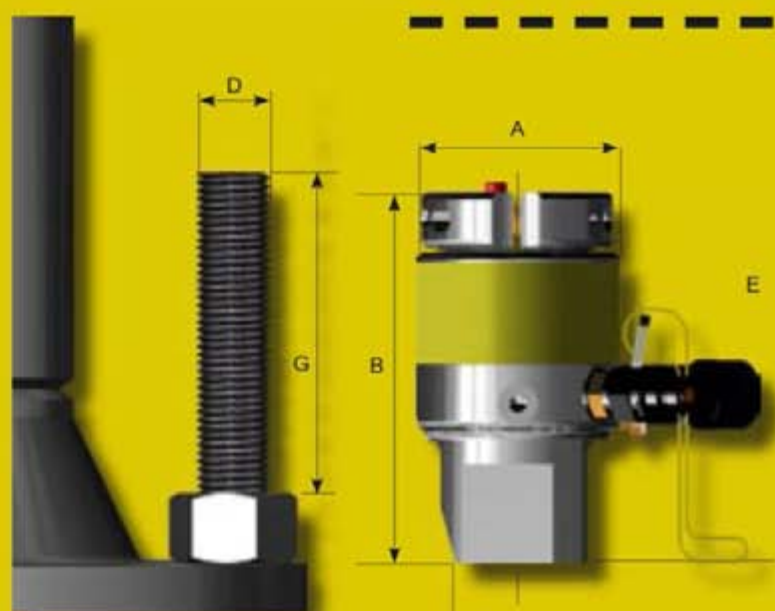


OPTIMUS-V

TENSIONADORES HIDRAULICOS SUBMARINOS

Features & Benefits

- Manufactured from high grade anti-corrosive stainless steel. To minimise tool maintenance time.
- 30mm ram stroke available on all models.
- Can be configured with both integrated and separate quick acting split nut, to suit the application.
- Twin hydraulic connections for simple hose assembly.
- Available with quick acting split nut or conventional round reaction nut.
- Ergonomically designed for easy diver handling.
- Compact design to maximise tool suitability.
- Non slip tool surface for good diver grip.



General Tool Specifications

Maximum Working Pressure = 1500bar (21750 psi)

Maximum Piston stroke = 30mm (1.181 inch)

Suitable for use on all standard ANSI flanges

Special designs are available on request



OPTIMUS - V

Technical Data

	Nom Bolt Size		Tool Dia	Tool Height	Flat Dimension	Maximum Bolt Load	Hydraulic Pressure	Maximum Piston Stroke	Extra Stud Length	Headroom Dimension	Effective Bridge Dia	Tool Weight		Part No
	D											Integrated Split Nut	Separate Split Nut	
	Inch	Metric	mm	mm	mm	kN	mm ²	mm	mm	mm	mm	kg	kg	Specify Thread Size
1	1"	M24	82	149	25	245	1633.8	30	133.80	308	63	2.32	1.59	TDD.0032.000B
	1.1/8"	M27	82	149	25	245	1633.6	30	132.00	309.5	63	2.32	1.59	TDD.0032.000B
2	1.1/4"	M33	97	162.2	28	382.9	2553.5	30	140.45	335.65	67	3.52	2.11	TDD.0033.000B
	1.3/8"	M36	97	162.2	28	382.9	2553.5	30	137.30	335.5	67	3.52	2.11	TDD.0033.000B
3	1.1/2"	M39	112	173.45	35	554.7	3698.7	30	145.35	357.8	94	4.9	2.7	TDD.0034.000A
	1.5/8"	M42	112	173.45	35	554.7	3698.7	30	142.18	357.63	94	4.9	2.7	TDD.0034.000A
4	1.3/4"	M45	127.5	188.15	41	749.5	4998.1	30	153.65	386.8	104	7.05	3.79	TDD.0035.000A
	1.7/8"	M48	127.5	188.15	41	749.5	4998.1	30	150.53	386.075	104	7.05	3.79	TDD.0035.000A
5	2"	M52	149	207.6	48	1065.3	7103.9	30	166.80	426.4	120	10.4	5	TDD.0036.000A
	2.1/4"	M56	149	207.6	48	1065.3	7103.9	30	161.80	426.35	120	10.4	5	TDD.0036.000A
6	2.1/2"	M64	179.5	232.3	58	1644.8	10968.4	30	178.80	475.1	153	16.65	7.67	TDD.0037.000A
	2.3/4"	M72	179.5	232.3	58	1644.8	10968.4	30	172.45	476.75	153	16.65	7.67	TDD.0037.000A
7	3"	M76	217	278.3	108.25	2517	16784.5	30	212.30	566.8	184	28.97	11.53	TDD.0038.000A
	3.1/2"	M90	217	278.3	108.25	2517	16784.5	30	199.40	567.7	184	28.97	11.53	TDD.0038.000A

This products are subject to continual development and we reserve the right to make changes in the specification and design of these products without prior notice. All rights reserved. Reproduction in whole or in part without the permission is prohibited.



Sociedad General de Importaciones **GALER**, S.L.

Pol. Ind. Elobelerrri. Ayda. Txorierrri, 25. 48180 LOIU - VIZCAYA
Tel.: 94 471 23 02 - Fax: 94 471 24 28
www.galea.es - e-mail: info@galea.es

